

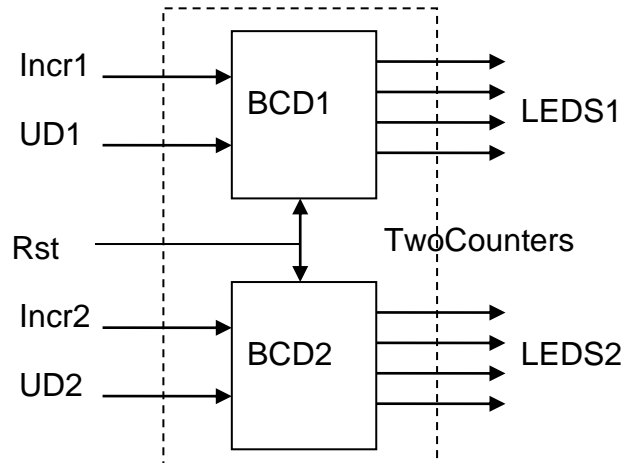
**Design Name :** Two Copies of an Up-Down BCD Counter with Independent De-bounced Inputs/Outputs

**Objective :**

Learn to manipulate counters.

**Assignment :**

Convert binary counters in the previous experiment to BCD up/down counters



Eliminate warnings by doing your design in fully synchronous fashion.